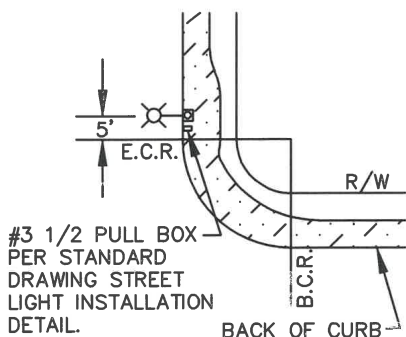


APPROVED POLE SCHEDULE

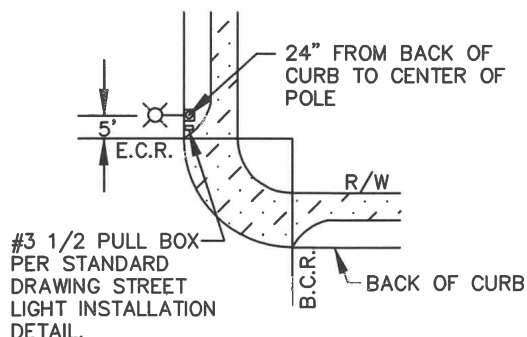
POLE	AMERON	LUMINAIRE MOUNTING HEIGHT	MASTER ARM LENGTH
A	1-C1-25-F8	29'-0"	8'
B	1-C1-25-F4	27'-6"	4'
C	1-C1-28-F8	31'-6"	8'

POLE	STRESSCRETE	LUMINAIRE MOUNTING HEIGHT	MASTER ARM LENGTH
A	P259-BPO-G-E31-CA-EAS1-OCT8'-SPCR	28'-3"	8'
B	P259-BPO-G-E31-CA-EAS1-OCT4'-SPCR	27'-3"	4'
C	P283-BPO-G-E31-CA-EAS1-OCT8'-SPCR	30'-3"	8'

POLE LOCATION ADJACENT TO CURB RETURN

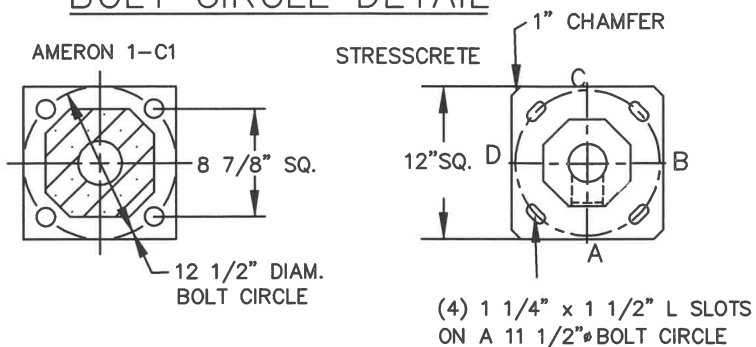


SIDEWALK ADJACENT TO CURB



SIDEWALK ADJACENT TO RIGHT-OF-WAY

BOLT CIRCLE DETAIL



NOTES

- SEE CITY OF ONTARIO TRAFFIC & TRANSPORTATION GUIDELINES APPROVED MATERIAL LIST (AML) LED LUMINAIRES FOR LUMINAIRE REQUIREMENTS
- NO DEVIATION FROM THE ABOVE SCHEDULE WILL BE ALLOWED UNLESS OTHERWISE APPROVED IN WRITING BY THE CITY ENGINEER.

560-C-3250 PER SECTION 201 OF THE STANDARD SPECIFICATIONS FOR PUBLIC WORKS CONST.

HANDHOLE

FOUNDATION DIMENSIONS

STD. "A" - 30" x 30" x 42"

STD. "B" - 30" x 30" x 42"

STD. "C" - 30" x 30" x 48"



APPROVED BY:	<i>[Signature]</i>	2-1-24	62809
KHOI DO, CITY ENGINEER		RCE DATE	
RECOMMENDED:	<i>[Signature]</i>	2/1/24	62841
JAY BAUTISTA, TRAFFIC/TRANSPORTATION MANAGER		RCE DATE	
REV	DESCRIPTION	BY	APP'D DATE
1	Addition of Stresscrete poles/arms	DT	

CITY OF ONTARIO

STREET LIGHT STANDARD

STANDARD DRAWING NUMBER

5101