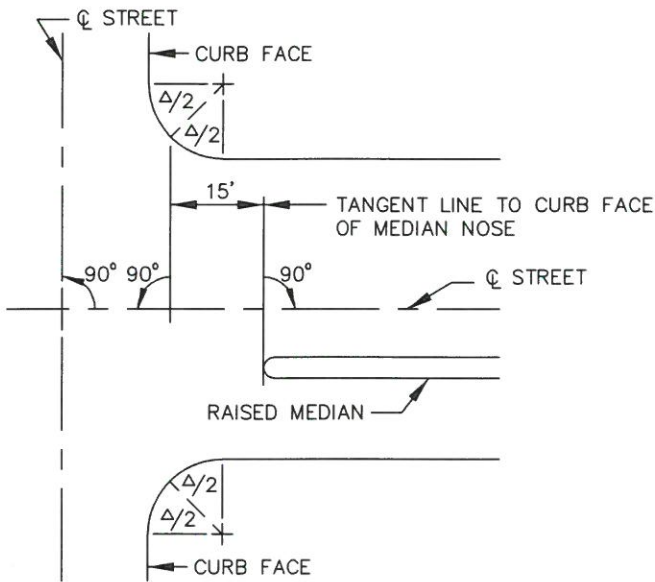
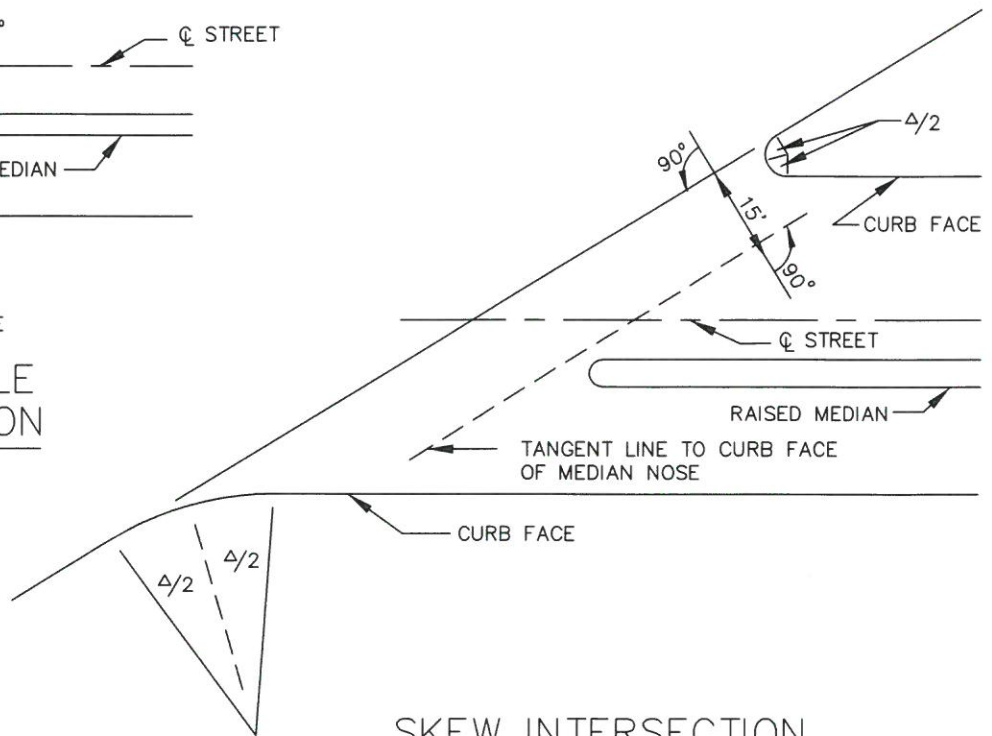


RIGHT ANGLE INTERSECTION AT DRIVEWAY



RIGHT ANGLE INTERSECTION



SKEW INTERSECTION

NOTES

1. EXTEND DOUBLE YELLOW STRIPING FROM MEDIAN NOSE TO CROSSWALK OR TO $\Delta/2$ IF THERE IS NO CROSSWALK.
2. FOR CROSSWALK LOCATIONS, SEE STD. DWG. 1307.



APPROVED BY:				
		62809	7-29-19	
KHOI DO, CITY ENGINEER		RCE	DATE	
RECOMMENDED:				
		70990	7/22/19	
BRYAN LIRLEY, PRINCIPAL ENGINEER		RCE	DATE	
REV	DESCRIPTION	BY	APP'D	DATE

CITY OF ONTARIO	
INTERSECTION RAISED MEDIAN NOSE LOCATION	STANDARD DRAWING NUMBER 1108