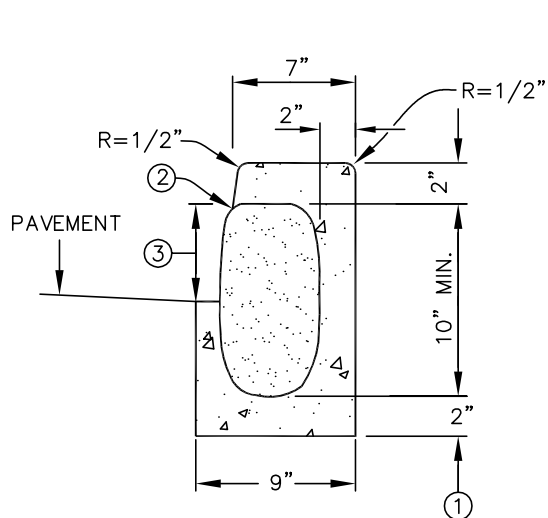
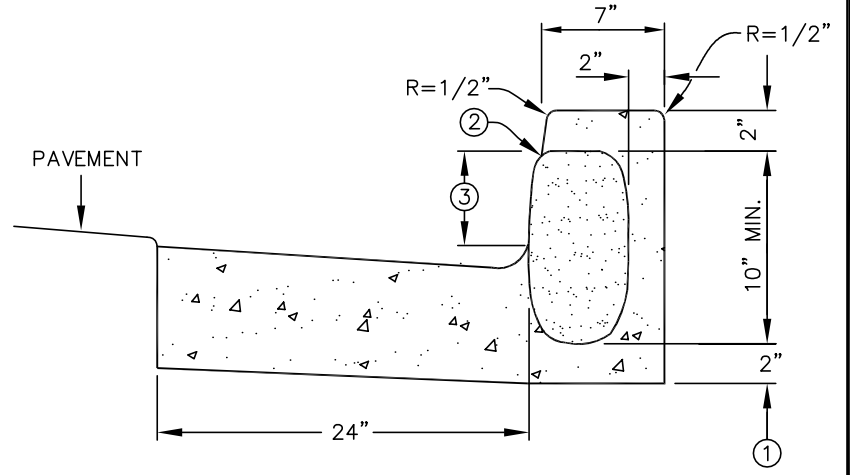


PROFILE VIEW



TYPE "A"      SECTION A-A



SECTION B-B      TYPE "B"

NOTES

- ① IF ROCK LENGTH IS MORE THAN 12", INCREASE THE DEPTH OF EXCAVATION ALONG THE CURB SECTION.
- ② REMOVE EXCESS PCC FROM ROCK FACE UTILIZING HAND TOOLS.
- ③ VARIES WITH CURB FACE HEIGHT, 6" MIN.
- ④ CONCRETE SHALL BE CLASS 520-D-2500 AND CURING COMPOUND SHALL BE TYPE 1-D PER SECTION 201 OF THE STANDARD SPECIFICATIONS FOR PUBLIC WORKS CONSTRUCTION, LATEST EDITION.
- ⑤ EXISTING ROCKS SHALL BE RE-USED WHERE ROCK CURB RECONSTRUCTION IS PROPOSED. ROCKS FROM EXISTING ROCKS CURB TO BE DEMOLISHED SHALL BE CLEANED AND DELIVERED TO THE CITY YARD TO BE STOCKPILED.



APPROVED BY: <i>[Signature]</i>				
KHOI K. DO, PE, CITY ENGINEER		62809	04/03/2024	
RCE		DATE		
RECOMMENDED: <i>[Signature]</i>				
BRYAN LIRLEY, PE, ASST CITY ENGINEER		70990	04/03/2024	
RCE		DATE		
REV	DESCRIPTION	BY	APP'D	DATE

<b>CITY OF ONTARIO</b>	
<b>ROCK CURBS</b>	STANDARD DRAWING NUMBER <b>1202</b>