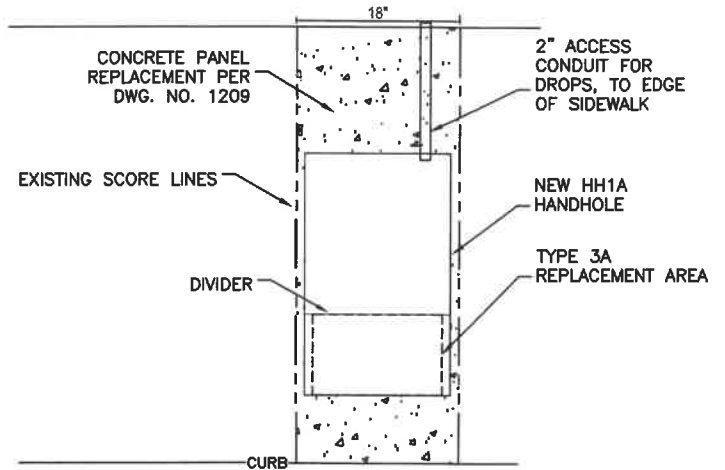
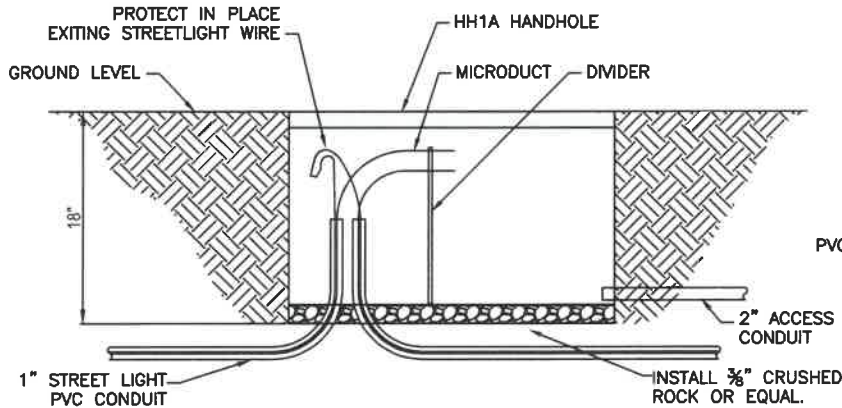


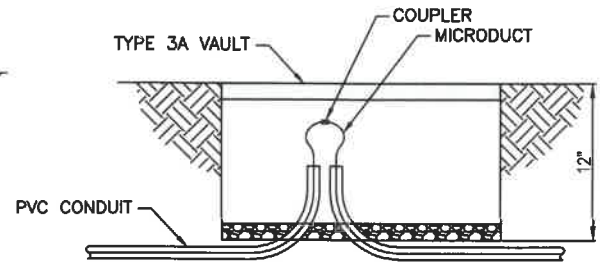
TYPICAL LID DETAIL
NOT TO SCALE



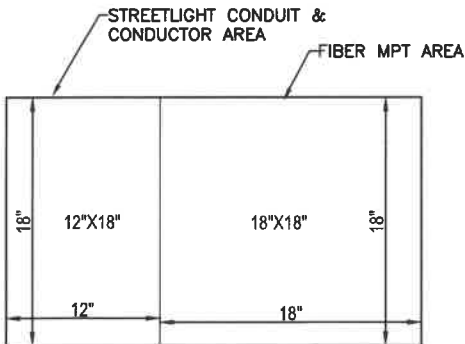
REPLACEMENT EXAMPLE (HH-1A)
NOT TO SCALE



REPLACEMENT INSTALLATION (HH-1A)
NOT TO SCALE



TYPICAL TYPE 3A INSTALLATION
NOT TO SCALE



HH-1A SHARED SPACE DETAIL
NOT TO SCALE

1. TYPE 3 STREET LIGHT PULL BOX TO BE REMOVED AND RETURNED TO PUBLIC WORKS IN-TACT. EXISTING STREET LIGHT WIRING SHALL BE PROTECTED IN PLACE OR REPLACED AND RE-SPLICED IN KIND, AS REQUIRED.
2. HANDHOLE (HH-1A) IS 18"x30x18", TIER 15, SINGLE LID W/ TWO NAME PLATES.
3. INCLUDES A DIVIDER PLATE TO SEPARATE THE HANDHOLE FOR EXISTING STREET LIGHT WIRING AND FIBER OPTIC CABLE.



APPROVED BY: <i>[Signature]</i> - 3-28-23				
KHOI K. DO - CITY ENGINEER		RCE	DATE	
RECOMMENDED: <i>[Signature]</i> - 3/28/23				
BRYAN LIRLEY - ASSISTANT CITY ENGINEER		RCE	DATE	
REV	DESCRIPTION	BY	APPD	DATE

CITY OF ONTARIO	
NO. 3 1/2 PULL BOX REPLACEMENT WITH HH-1A	STANDARD DRAWING NUMBER 1317