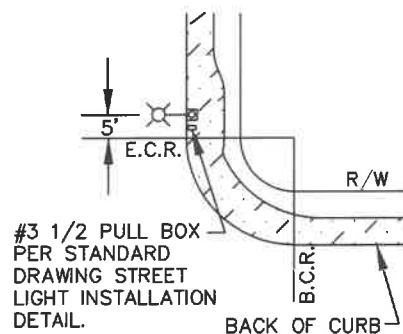


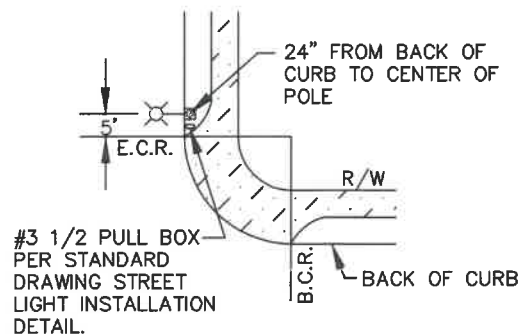
APPROVED POLE SCHEDULE

POLE	AMERON	LUMINAIRE MOUNTING HEIGHT	MASTER ARM LENGTH
A	1-C1-25-F8	29'-0"	8'
B	1-C1-25-F4	27'-6"	4'
C	1-C1-28-F8	31'-6"	8'

POLE LOCATION ADJACENT TO CURB RETURN

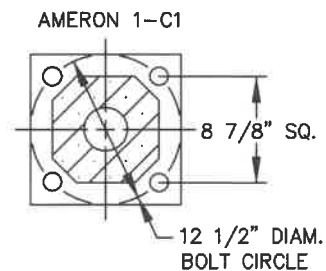


SIDEWALK ADJACENT
TO CURB



SIDEWALK ADJACENT
TO RIGHT-OF-WAY

BOLT CIRCLE DETAIL



560-C-3250
PER SECTION
201 OF THE
STANDARD
SPECIFICATIONS
FOR PUBLIC
WORKS CONST.

FOUNDATION
DIMENSIONS
STD. "A" - 30" x 30" x 42"
STD. "B" - 30" x 30" x 42"
STD. "C" - 30" x 30" x 48"

NOTES

1. SEE CITY OF ONTARIO TRAFFIC & TRANSPORTATION GUIDELINES APPROVED MATERIAL LIST (AML) LED LUMINAIRES FOR LUMINAIRE REQUIREMENTS
2. NO DEVIATION FROM THE ABOVE SCHEDULE WILL BE ALLOWED UNLESS OTHERWISE APPROVED IN WRITING BY THE CITY ENGINEER.



APPROVED BY:		1-9-23	
KHOI DO, CITY ENGINEER		62809	
RECOMMENDED:		RCE DATE	
JAY BAUTISTA, TRAFFIC/TRANSPORTATION MANAGER		62841	
REV	DESCRIPTION	BY	APP'D DATE

CITY OF ONTARIO

STREET LIGHT
STANDARD

STANDARD
DRAWING
NUMBER

5101