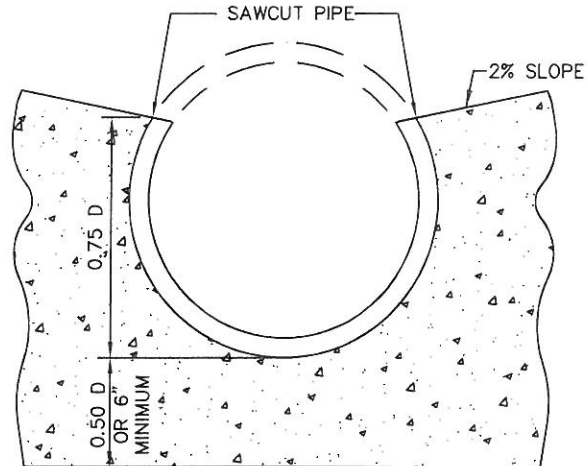


PLAN OF BASE



CROSS-SECTION OF BASE

THE REQUIREMENTS SPECIFIED PER CITY STANDARD DRAWING 2201 SHALL APPLY TO THIS MANHOLE



APPROVED BY:		11-22-10	
<i>Louis Abi-Younes</i>		44485	
LOUIS ABI-YOUNES, CITY ENGINEER		RCE	DATE
RECOMMENDED:		10/25/10	
<i>Scott Burton</i>		57875	
SCOTT BURTON, UTILITIES ENG/OPERATIONS DIRECTOR		RCE	DATE
REV	DESCRIPTION	BY	APP'D DATE

CITY OF ONTARIO		STANDARD DRAWING NUMBER <b>2204</b>
MODIFIED SURVEILLANCE / MONITORING MANHOLE - TRAFFIC AREA (SHALLOW DEPTH)		