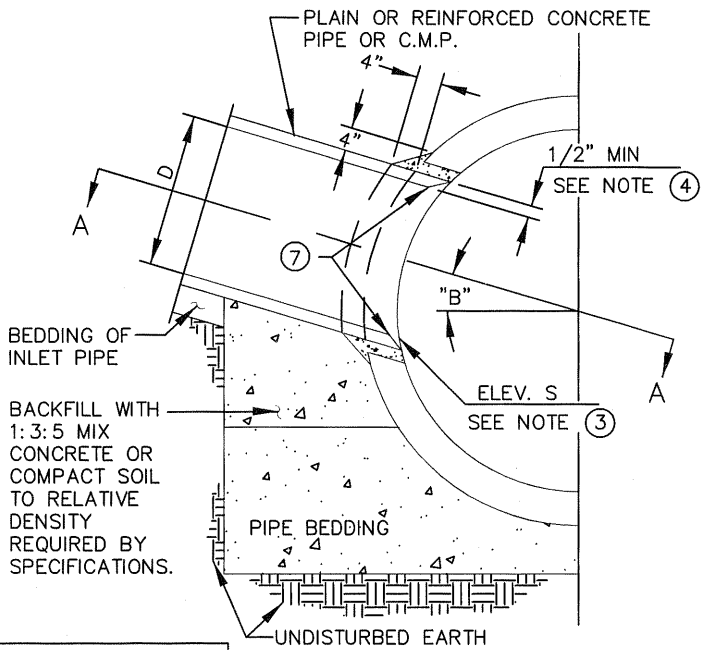
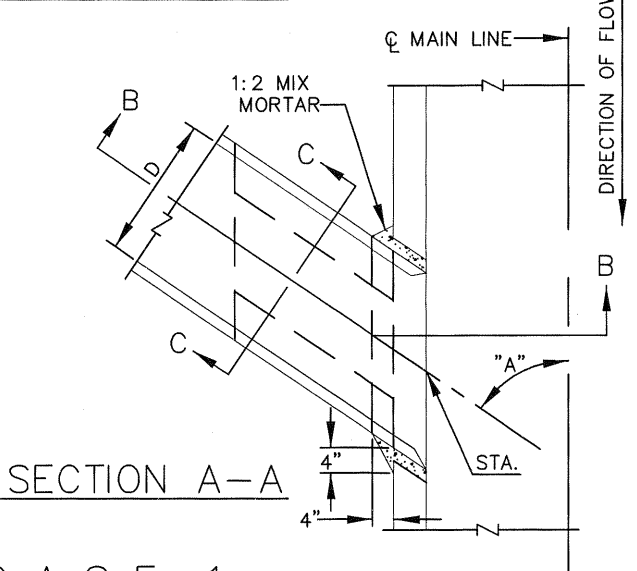
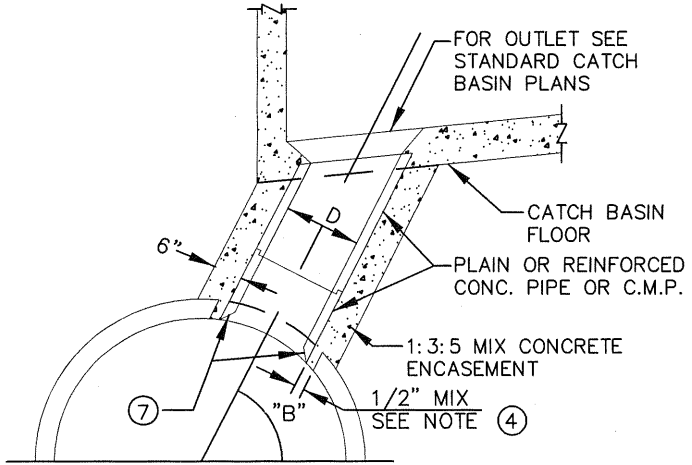


SECTION C-C



SECTION B-B



SECTION A-A

NOTE

ALL CONNECTOR PIPES (WITHIN THE ANGLES SPECIFIED FOR CASE 2) SHALL BE ENCASED WHEN LAID WITHIN THE MAIN LINE EXCAVATED TRENCH, OR WHEN LAID ON FILL WHICH HAS NOT BEEN DENSIFIED.

CASE 2 CASE 1

NOTES: CASE 1 AND CASE 2

- ① ANGLE "A" SHALL BE BETWEEN 45 DEGREES AND 90 DEGREES AND D SHALL BE 24 INCHES OR LESS. FOR SMALLER VALUES OF "A" AND LARGER VALUES OF D USE APPROPRIATE STANDARD STRUCTURE.
- ② IN NO CASE SHALL THE OUTSIDE DIAMETER OF THE INLET PIPE EXCEED ONE-HALF THE INSIDE DIAMETER OF THE MAIN STORM DRAIN.
- ③ CENTER LINE OF INLET SHALL BE ON RADIUS OF MAIN STORM DRAIN EXCEPT WHERE ELEVATION S IS SHOWN ON PROJECT DRAWINGS.
- ④ THE OPENING INTO THE MAIN STORM DRAIN SHALL BE THE OUTSIDE DIAMETER OF THE INLET PIPE PLUS ONE INCH MINIMUM OR 3 INCH MAXIMUM.
- ⑤ ALL CORRUGATED METAL PIPE AND FITTINGS SHALL BE GALVANIZED.
- ⑥ IF ANGLE "B" IS 45 DEGREES OR LESS USE CASE 1, IF ANGLE "B" IS GREATER THAN 45 DEGREES USE CASE 2.

- ⑦ BURN OR CHIP END OF CONNECTOR PIPE FLUSH WITH INNER SURFACE OF MAINLINE PIPE. ROUND EDGE OF CONCRETE PIPE OR REINFORCED CONCRETE PIPE.
- ⑧ STATION SPECIFIED ON DRAWINGS APPLIES TO THE INTERSECTION OF THE INSIDE WALL OF THE MAIN STORM DRAIN AND CENTER LINE OF INNER PIPE.



APPROVED BY:				
<i>John P. Sullivan</i>		24079 8/08/06		
JOHN P. SULLIVAN CITY ENGINEER		RCE	DATE	
RECOMMENDED:				
<i>Jim Min March</i>		33340 8/07/06		
JIM MIN MARCH		RCE	DATE	
REV	DESCRIPTION	BY	APP'D	DATE

CITY OF ONTARIO	
JUNCTION STRUCTURE NO 1	
CASE 1 AND CASE 2	
STANDARD DRAWING NUMBER	3010