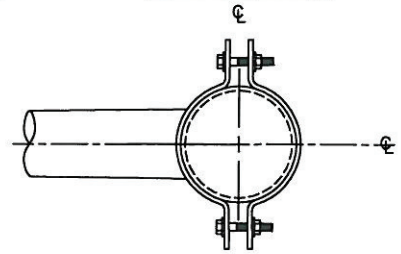
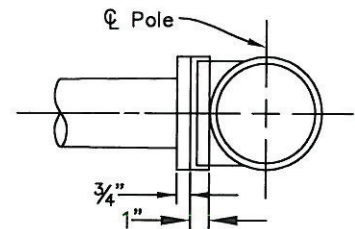


TOP VIEW

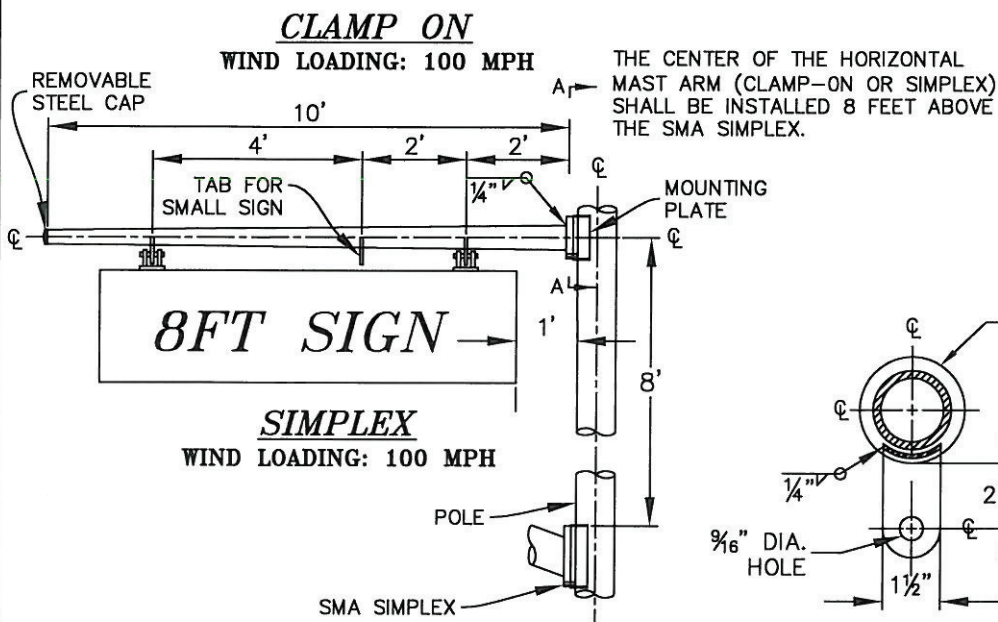


**CLAMP-ON
RETROFIT ONLY**

TOP VIEW

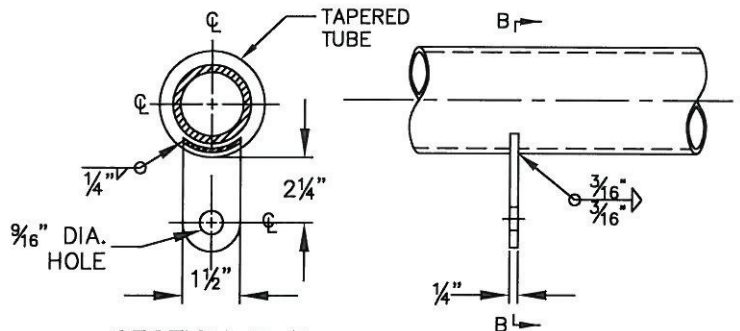


**SIMPLEX
NEW POLES**



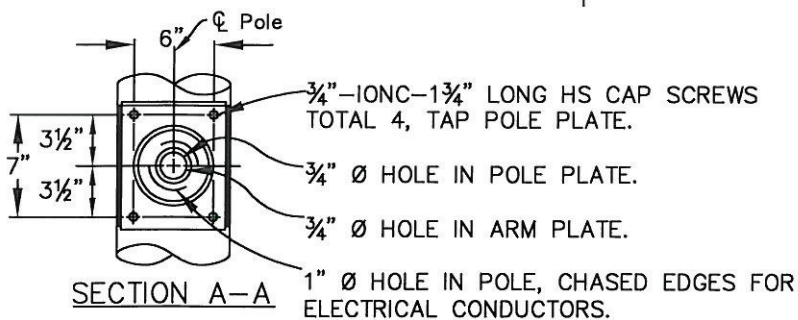
SIMPLEX

WIND LOADING: 100 MPH



NOTES:

1. MATERIAL: STEEL OF 48,000 PSI MIN. YIELD AFTER FABRICATION.
2. HOT DIP GALVANIZED FINISH. PER ASTM A-123.
3. ALL WELDS SHALL CONFORM TO AWS D1.1 SPECIFICATIONS.
4. BASE PLATES AND FLANGES SHALL BE PER ASTM A-35 & A-36 STEEL



MOUNTING PLATE DETAIL

SEE STD DWG. 5018 FOR SIGN LEGEND DETAILS



APPROVED BY: *Louis B. Abi-Younes* 44485 8.7.14

LOUIS B. ABI-YOUNES, CITY ENGINEER RCE DATE

RECOMMENDED: *Tom Danna* 2013 8/14

TOM DANNA, TRAFFIC/TRANSPORTATION MANAGER TE DATE

REV	DESCRIPTION	BY	APP'D	DATE

CITY OF ONTARIO	
STREET NAME SIGN MAST ARM DETAILS	STANDARD DRAWING NUMBER 5015